



The mobile fixing device for more safety while working on the roof and the safety and rescue concept for short-term works on roof openings

SAFETY-SET

- mobile fixing device for roof openings (e.g. with dome rooflights or continuous rooflights) up to max. outer width 2.98 m
- fixing device type B tested according to EN 795:2012 (D) (EU-type examination Certificate No. PS 20060004) and DIN CEN/TS 16415:2017-11 Type B and C (DGVU test certificate no. PS 20060010)
- utility patent no.: 20 2008 013 783.7
- weight of the modular traverse bridge:
 - in total = 20 kg, components < 5 kg
- two fixing devices loadable up to 1,200 kg to be rescued from a second person
- field of application: flat roofs up to a roof angle of 5°

Productadvantages

- low weight
- fast and simple erection
- mobile
- no roof penetrations
- possibility to rescue casualty

Accessories

- system connection rope according to DIN EN 354:2010-11
- two safety harnesses (personal safety equipment) according to DIN EN 361:2002-09
- joint tool (rope fall absorber) according to DIN EN 355:2002-09
- fall arresting device according to DIN EN 360:2002
- descender according to DIN EN 341:2002-09

Challenges

- missing or insufficient realization of construction site ordinance from 1998
- safety components are missing or can't be used safe

Risk

- latent, partly high hazard potential during maintenance and service works
- significant liability risk for the owner/operator due to missing safety to traffic

Our approach

- application of the SAFETY-SETs for protection against fall

Our rescue concept

- application of the SAFETY-SETs for rescue from height
- realization of a rescue concept independent from the used fixing devices possible



Installation variant 1:
clear width 2,985 mm with fall
arresting device on the fixing point



Installation variant 2:
clear width 1,685 mm

1.1.1
TOP-90

1.1.2
TOP-90
sound reduction

6.1.1
SHEV devices

6.1.2
Dome rooflights, VARIO light flap and
aluminium dark flap

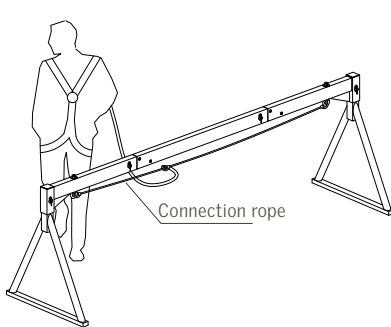
SAFETY-SET fixing system

- special designed fall arrest and restraint system for the personal protective equipment against fall (PSA) and for the rescue of casualty
- tested and approved according to EN 795:2012 Typ B (D) and can be used in combination with corresponding and tested components of the personal protective equipment against fall (EU-type examination certificate no. PS 20060004)
- mobile and can be used without roof penetrations; installation without tools
- can be used for two persons according to DIN CEN/TS16415:2017-11 Typ B und C (DGVU Test-Zertifikat Nr. PS 20060010)
- according to DIN EN 795, independent from use, the system has to be tested/maintained minimum 1 x year and after every fall stress by the manufacturer (expert) who has to check the functional reliability

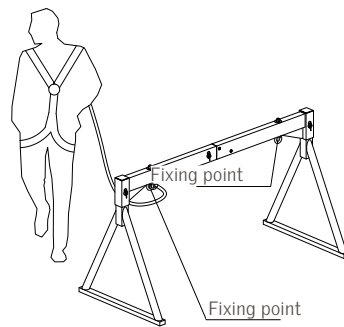
The correct application of the SAFETY-SETs in combination with other personal protective equipment against fall has to be defined on the base of local given conditions and the single manual instructions due to a hazard analysis.



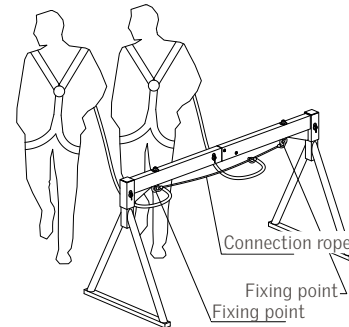
Principle sketch



SAFETY-SET, 5-part variant with connection rope between the fixing points



SAFETY-SET, 4-part variant with connection to the fixing points



SAFETY-SET, 4-part variant with connection to the fixing points; application with two persons