

JET dome rooflight accessories insect protection

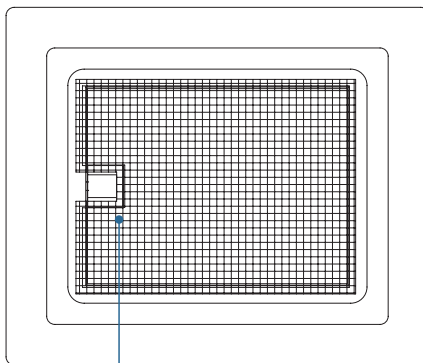
VELUX®
Commercial


JET dome rooflight insect protection systems

Insect protection for standard use areas

Horizontal insect screen system for standard dome rooflights which can be opened

- frame is mounted horizontally on the upper side of the upstand
- recess for motor spindle protected with brush sealing
- simple release and fastening using Velcro

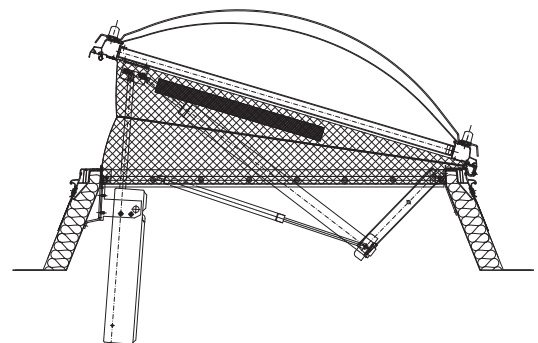


Brush recess for motor spindle

Insect protection for SHEV system and special hygiene requirements

Vertical insect screen system for SHEV and higher hygiene requirements

- stand-alone forced separation from the upstand with SHEV activation
- Suitable for use with JET SHEV system in accordance with EN 12101-2
- available for ventilation strokes of 300 or 500 mm for combination units
- no accumulation of, or later contamination with, insect fragments
- patent pending



1.1.1
JET TOP-90

1.1.2
JET TOP-90
PLUS

3.4.2
JET SKYSIGHT

3.5.2
JET TOP-90
comfort/comfort-S

3.6.2
JET ISO pyramid 45°
GLASS/GRILLODUR®

3.6.3
JET ISO hip 45°

6.1.1
JET SHEV systems

JET dome rooflight insect protection systems

- mesh material made from polyvinylidene chloride (PVDC), resistant to weather and many fruit acids
- mesh width: < 1 mm

Horizontal insect protection system

Product advantages

- easy protection against insects and coarse contamination with daily ventilation
- for ventable JET dome rooflights, JET aluminium darkening flaps and JET VARIO light flaps
- can be retrofit onto third-party on request

Areas of application

- office buildings, administration buildings, communal buildings and residential buildings

| Dome rooflight order sizes (cm) | | |
|---------------------------------|-----------|-----------|
| 50 x100 | 120 x 120 | 180 x 180 |
| 50 x150 | 120 x 150 | 180 x 240 |
| 60 x 60 | 120 x 180 | 180 x 250 |
| 60 x 90 | 120 x 240 | 200 x 200 |
| 70 x135 | 125 x 250 | 200 x 300 |
| 80 x 80 | 135 x 230 | |
| 90 x 90 | 150 x 150 | |
| 90 x120 | 150 x 180 | |
| 100 x100 | 150 x 210 | |
| 100 x150 | 150 x 240 | |
| 100 x200 | 150 x 250 | |
| 100 x240 | | |
| 100 x250 | | |

Vertical insect protection system

Product advantages

- no effect on the aerodynamic ventilation area (A_a value)
- effective protection against insects and coarse contamination with daily ventilation
- available for retrofitting or as a replacement set
- used in operations in the catering trade and food industry, such as bakeries, fruit processing and drink filling

Areas of application

- JET SHEV systems which can be opened

| SHEV system dome rooflight order sizes (cm) | |
|---|-----------|
| 100 x100 | 150 x150 |
| 100 x150 | 150 x180 |
| 100 x200 | 150 x180 |
| 100 x240 | 150 x 210 |
| 100 x250 | 150 x 240 |
| 120 x120 | 150 x 250 |
| 120 x150 | 180 x 180 |
| 120 x180 | 180 x 240 |
| 120 x240 | 180 x 250 |
| 120 x250 | 200 x 200 |
| 125 x125 | 200 x 300 |
| 125 x250 | |