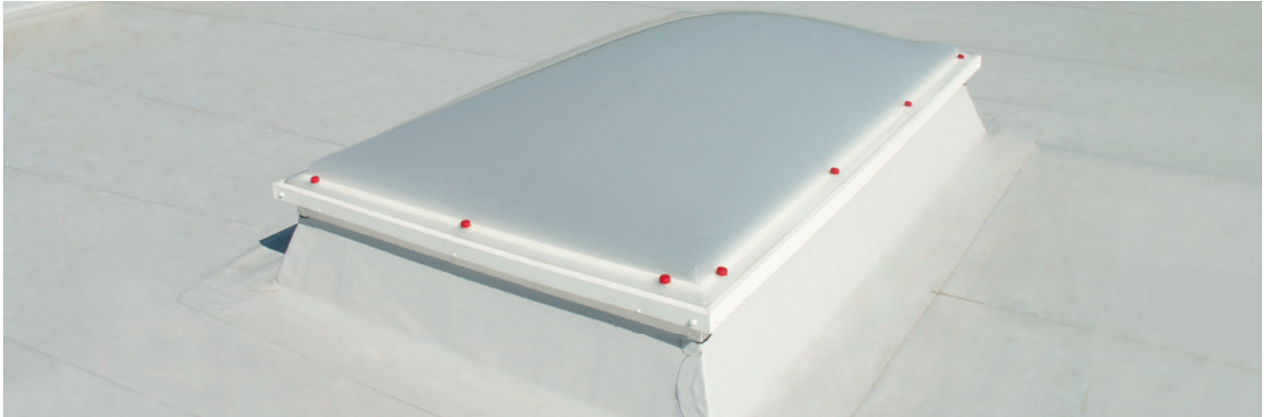


JET SHEV PVC AK 30 system JET FIREJET® 165°

VELUX®
Commercial


The JET PVC upstand for smoke and heat exhaust

Upstand

- double-walled PVC upstand, 30 cm high, with solid inner-K framework geometry made of white extruded construction-grade plastic
- mirror-welded watertight corners
- revolving form-shaped nose for hook-in the JET OPTIMAL roof connection system (optional)
- perfect optics because of smooth interior walls
- compatible with all JET SHEV dome rooflights, dark flaps and VARIO light flaps
- excellent thermal insulation due to polystyrene foam-filled profile chambers

Thermal transfer coefficient:

- $U_{up} = 1.25 \text{ W/m}^2\text{K}$ according to DIN EN 1873



JET SHEV PVC AK 30 system with SHEV device

Note:

Product information for JET SHEV dome rooflights, dark flaps and VARIO light flaps can be found in separate brochures.

SHEV device

- pneumatically controlled opening device with the SHEV function "open"
- 165° opening angle prevents dome from hitting the roof surface
- can be combined with a JET motor opener or an additional pneumatic lift cylinder for daily ventilation

JET SHEV PVC AK 30 system JET FIREJET® 165°

the JET PVC upstand for smoke and heat exhaust

- approved at VdS according to DIN EN 12101-2
- suitable for all JET SHEV dome rooflights, dark flaps and VARIO light flaps
- very good thermal separation

Advantages for the roofer

- all current PVC roof sheetings can be attached to the upstand flange using a source welding procedure
- low tare weight by the use of extruded PVC profiles

Recommended accessories

- JET fall-through protection

1.1.1
JET TOP-90

1.1.2
JET TOP-90 PLUS

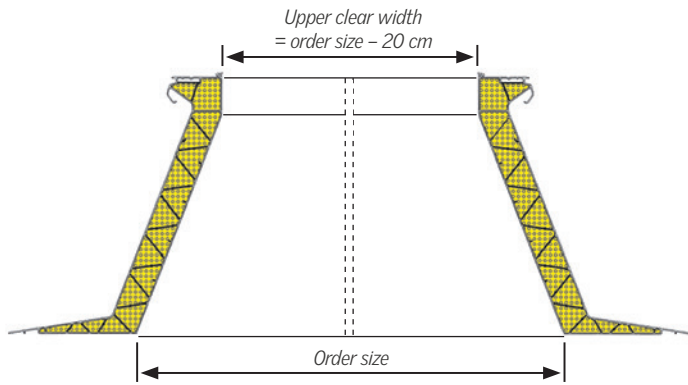
1.1.3
JET TOP-90
sound reduction

1.4.1
JET dome rooflight
safety concept

1.4.5
JET LK-DDS

1.4.6
JET LK-DDN

6.1.2
JET dome rooflights



Product range (order size) and A_a -value

A_a -value (aerodynamic effective smoke exhaust surface) according to DIN EN 12101-2

Order sizes	Without wind baffles smallest A_a -value	With wind baffles highest A_a -value
cm x cm	m ²	m ²
100 x 100	0.600	-
100 x 150	0.900	0.975
100 x 200	1.200	1.300
100 x 240	1.440	1.560
100 x 250	1.500	1.630
120 x 120	0.864	0.936
120 x 150	1.080	1.170
120 x 180	1.188	1.404
120 x 210	1.386	1.638
120 x 250	1.584	2.016
120 x 250	1.650	2.100
125 x 250	1.719	2.188
150 x 150	1.350	1.463
150 x 180	1.620	1.890
150 x 210	1.890	2.205
150 x 240	1.980	2.520
150 x 250	2.063	2.625
180 x 180	1.782	2.268
180 x 240	2.376	3.024
180 x 250	2.475	3.150
200 x 200	2.200	2.800